







- Compact joystickswitch for industrial purposes
- Action in two or four positions with return
- Rating up to 10A
- Screw terminals with self-lifting clamps
- Mecanical long life
- Round bezel for 30mm holes

### Circuitries (IEC 60947-5-1)

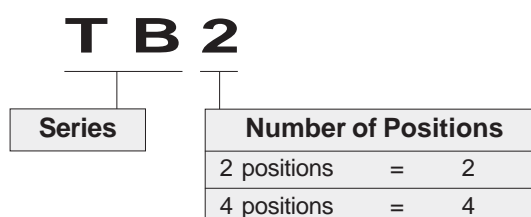
Code	Lever in Repose	Operated Lever
TB2	(2x) 	(1x)  (1x) 
TB4	(4x) 	(1x)  (3x) 



### Specifications

Electrical Rating	10A 250Vca
	IEC 60947-5-1 Cat. AC11: Voltage (Ue) 24 48 60 110 220 380 500
	Current (Ie) 10 10 10 6 3 2 1.5
	Cat. DC11: Current (Ue) 24 48 60 110 220 380 500
	Current (Ie) 5.0 2.7 2.0 1.1 0.5 0.3 0.2
Contact Resistance	50mΩ maximum initial (at 1A 5Vdc)
Insulation Resistance	600V (ac or dc)
Ambient Temperature	+70°C maximum
Contact Type	Slow action with
Mechanical Life	500.000 cycles
Electrical Life	200.000 cycles
Degree of Protection	IP65 (assembled in panel) (IP40: exposed contac block) (EN 60529)
Materials	Enclosure: Thermoplastic
	Handle: Thermoplastic
	Lever: Zinc plated steel
	Terminals: Copper alloy
	Contacts: Silver alloy

### Ordering Information

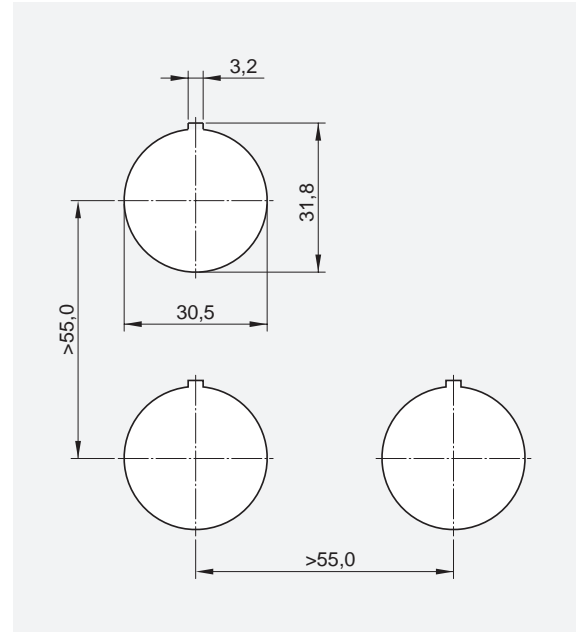
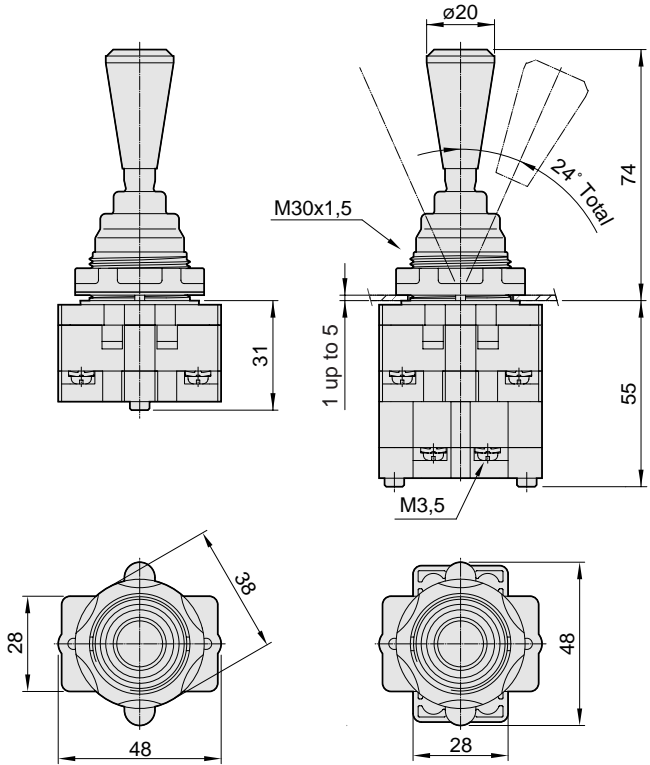


## Dimensions

Dimensions in mm

**TB2 - Two Positions**

**TB4 - Four Positions**



Fixing Dimensions

Subject to change without prior notice

## Panel Assembling

Due to reduced dimensions, the compact joystickswitch TB series, allows quick and easy assembling. The sealing cover goes trough the fixation hole, allowing the electric connection to be done before the assembling on the panel.

## Accessories



TB2 Legend Plates  
**C3AQM2**



TB4 Legend Plates  
**C3AQM4**

