

- 7 contacts connector for motor vehicles and trailers
- Construction according to DIN 72579
- Metal enclosure with high resistance
- Male/female polarized connection
- Contacts with screw terminals
- Fool proof locking cover



Specifications

Electrical Rating	10A 24V	
Nº of Contacts	6 active contacts + 1 central grounding contact	
Contact Resistance	50mΩ maximum initial for each contact	
Ambient Temperature	+85°C maximum	
Degree of Protection	IP54 (for complete connector with wiring protection)	
Insulation Resistance	100MΩ mínimo	
Materials	Inserts:	Reinforced Thermoplastic
	Contacts:	Brass
	Enclosure :	Painted Aluminum
	Locking Cover:	Painted Aluminum

Subject to change without prior notice

Available Models

Surface Mounting Socket - **PT7MC**

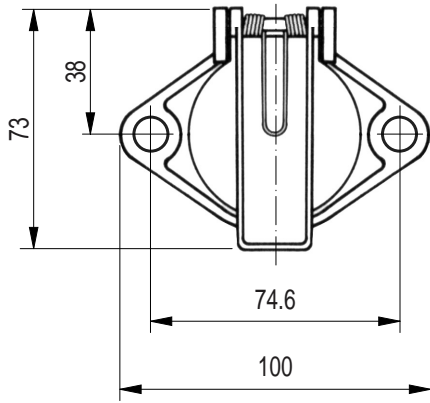


Moble Connector - **PT7FH**

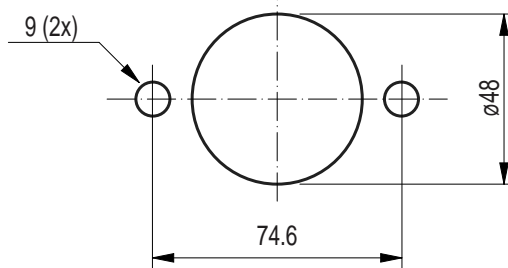
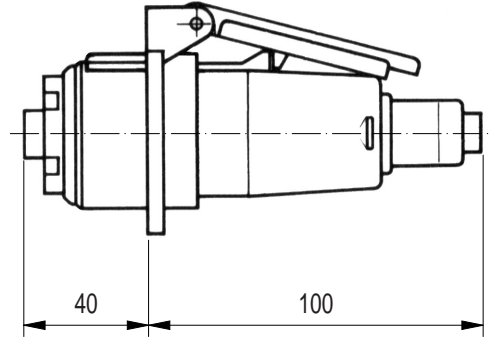


Basic Dimensions

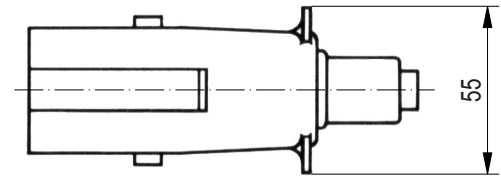
Surface Mounting Socket



Complete Connector



Fixing Dimensions



Mobile Connector

Subject to change without prior notice

Accessory

Wiring Protection
PTPMC

