

- Rugged power plug
- Construction according to DIN 49450 and DIN 49451
- Choice of 25,40,63 and 100A at 380/440V electrical rating
- Arc resistant up to 500 V~
- Metal enclosure with high mechanical resistance
- Versions: plug, flush and wall mounting sockets e couplers
- The connector is safely locked after connection
- Brass contacts with screw terminals



### Specifications

Electrical Rating	25A, 40A, 63A and 100A - 380/440V	
Nº of Contacts	3 active contacts + 1 neutral contact	
Contact Resistance	5mΩ maximum initial for each contact (all inserts)	
Ambient Temperature	+85°C maximum	
Degree of Protection	IP40 (for complete connector. PNG: assembled in panel) (IEC 60529)	
Insulation Resistance	50MΩ minimum	
Materials	Inserts:	Thermoplastic reinforced or phenolic resin
	Contacts:	Brass
	Enclosure :	Die Cast Aluminium

Subject to change without prior notice

### Available Models



Plug  
PNA....



Wall Mountaing Socket  
PNF...



Flush Mountaing Socket  
PNG...



# PN Series

## Heavy Duty Power Plug DIN 49450/51

### Ordering Information

# P N A 2 5

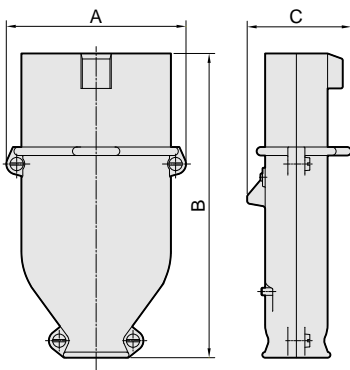
Series

Constructive Form	
Plug	= A
Wall mounting socket	= F
Flush mounting socket	= G

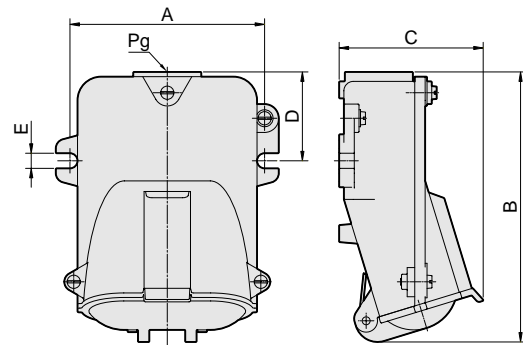
Electrical Rating	
25A at 380/440V	= 25
40A at 380/440V	= 40
63A at 380/440V	= 63
100A at 380/440V	= 100

### Basic Dimensions

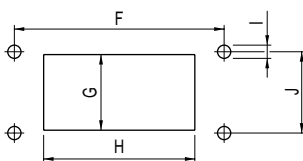
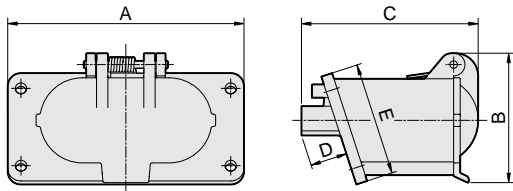
Subject to change without prior notice



Code	A	B	C
PNA25	95	161	56,5
PNA40	116	184	63
PNA63	140	202	69
PNA100	168	250	80



Code	A	B	C	D	E	Pg
PNF25	103	143	76	47	8	21
PNF40	122	158,5	88	49	8	29
PNF63	144	166	99,5	50,5	10	29
PNF100	172	215	122,5	86	11	36



Code	A	B	C	D	E	F	G	H	I	J
PNG25	125	68,5	93,5	19,5	60	111	40	80	7	43
PNG40	126	75,5	105,5	19	64	111	45	95	7	43
PNG63	168	83	108,5	22	72	152	50	124	7	47
PNG100	174	99,5	120	27	78	152	60	130	7	56



KAP Componentes Elétricos Ltda.