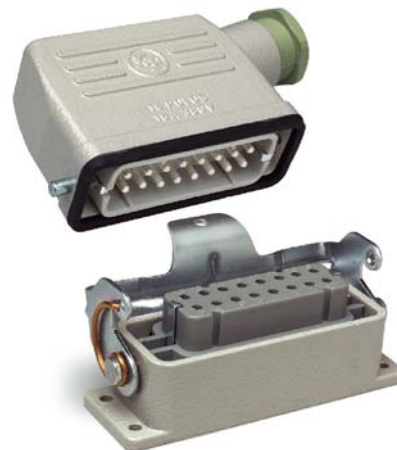


- Small size multiple connectors for heavy duty applications
- Choice of 10,16,24 and 32 contacts
- Metal enclosure with Degree of Protection IP54
- Male/female polarized connection
- Silver plated contacts with screw terminal and wire protection
- Hoods supplied with incorporated cable entry protection
- Ground contact for all male/female inserts
- Fool proof locking lever

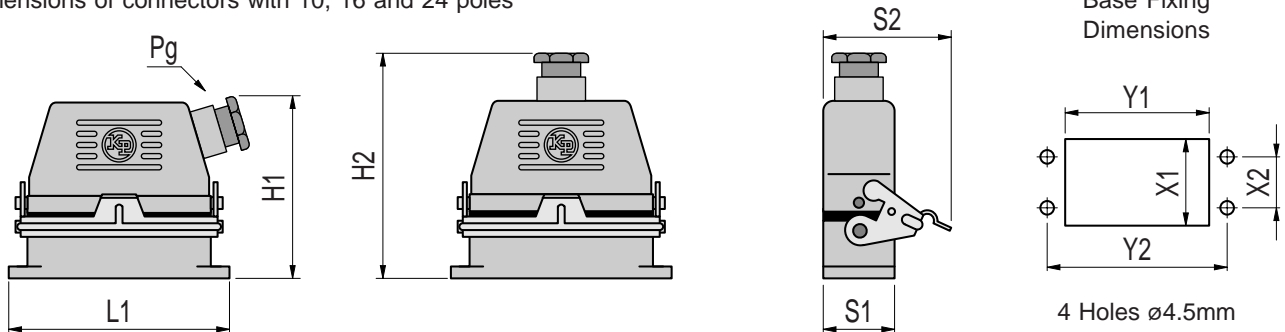


### Specifications

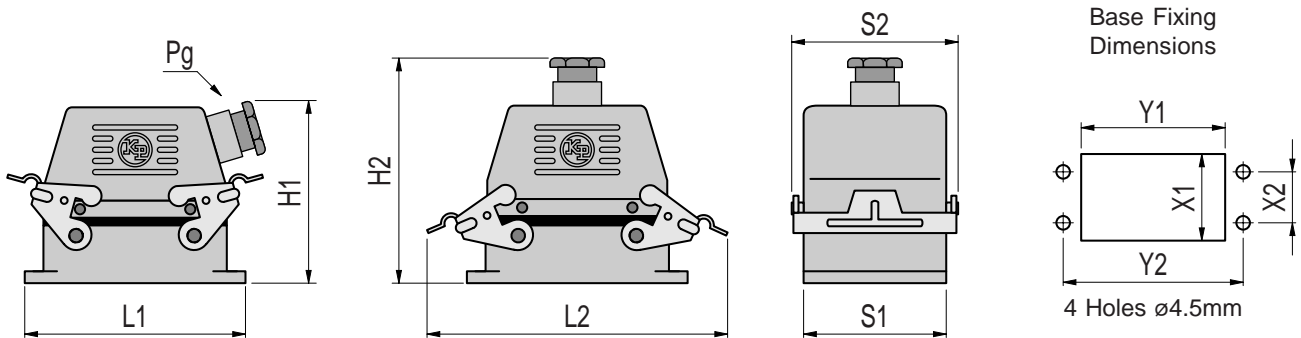
Electrical Ratings	16A 250Vac
Nº of Contacts	10, 16, 24 and 32 (2x16) active contacts + ground contact
Contact Resistance	5mΩ maximum initial for each contact (all inserts)
Ambient Temperature	+85°C maximum
Degree of Protection	IP54 (for complete connector with cable entry protection) (EN 60529)
Insulation Resistance	50MΩ minimum
Materials	Inserts: Reinforced Thermoplastic
	Contacts: Silver Plated Brass
	Enclosure : Die Cast Zamak
	Cable Entry Protection: Thermoplastic
	Locking Lever: Zinc plated steel

### Basic Dimensions

Dimensions of connectors with 10, 16 and 24 poles



Dimensions of connector with 32 poles



Poles	L1	L2	H1	H2	S1	S2	X1	X2	Y1	Y2	PG
10	81	-	85	113.5	30	57	23.5	17.5	56.5	70	16
16	96	-	85	113.5	30	57	23.5	17.5	73.5	86	16
24	121.3	-	85	113.5	30	57	23.5	17.5	97.5	111.3	16
32	102	140	93	126	56	64	50.5	42	76.5	92	21

### Ordering Information

Nº of Contacts	Insert Male	Insert Female	Hood with Side Entry	Hood with Top Entry	Housing
10	PH10M	PH10F	PH10L	PH10S	PH10B
16	PH16M	PH16F	PH16L	PH16S	PH16B
24	PH24M	PH24F	PH24L	PH24S	PH24B
32	PH16M (2x)	PH16F (2x)	PH32L	PH32S	PH32B