

- Multiple connectors for electronic applications
- Choice of 8, 12, 16, 20 and 30 contacts
- Construction according DIN41622
- Enclosure and sockets in thermoplastic material
- Male/female polarized connection
- Solder and PCB terminals
- Gold plated contacts for special applications
- Fool proof locking lever



Specifications

Electrical Rating	10A 250Vac for each contact	
Nº of Contacts	8, 12, 16, 20 and 30 contacts	
Contact Resistance	5mΩ maximum initial for each contact	
Ambient Temperature	+85°C maximum	
Degree of Protection	IP40 (for complete connector) (EN 60529)	
Materials	Inserts:	Reinforced Thermoplastic
	Contacts:	Male: Silver Plated Brass
		Female: Silver Plated Bronze
	Enclosure :	Reinforced Thermoplastic
Locking Lever:	Stainless Steel	

Subject to change without prior notice

Available Models



Hood
Type **PC...L**



Housing
Type **PC...B**

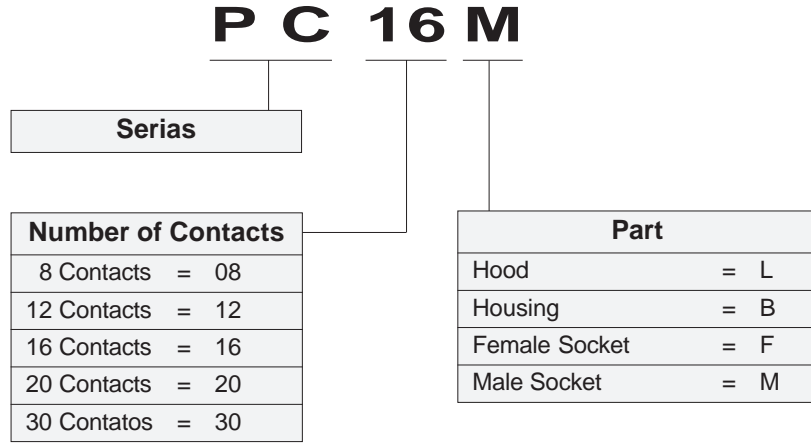


Female Socket
Tipo **PC...F**

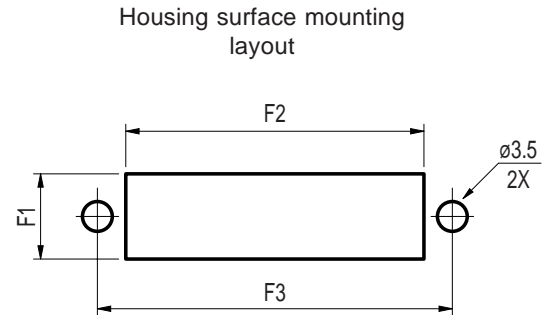
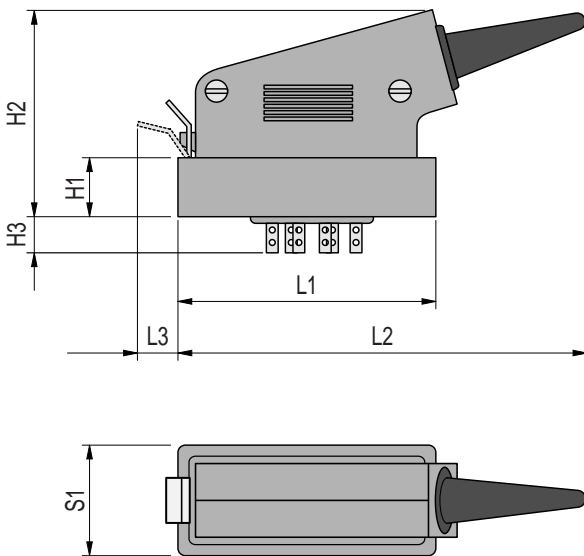


Male Socket
Tipo **PC...M**

Ordering Information



Dimensions



Poles	L1	L2	L3	H1	H2	H3	S1	F1	F2	F3
8	64	100	13.5	14.5	48	11	26	14	32	38
12	76	110	13.5	14.5	52	11	26	14	43	50
16	88	120	13.5	14.5	55	11	26	14	55	62
20	100	135	13.5	14.5	59	11	26	14	68	74
30	100	135	13.5	14.5	70	11	31	18	68	74