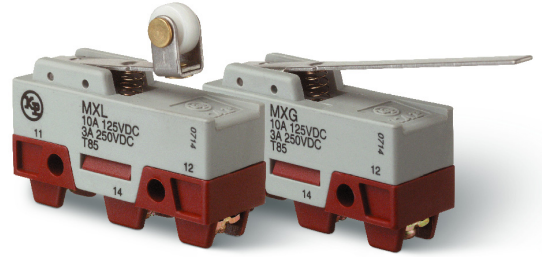
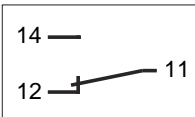


- Ideal for switching DC circuits up to 10A 125Vdc and 3A 250Vdc
- Incorporates a permanent magnet to deflect the arc and extinguish it
- Direct current switch with built-in magnetic blowout
- Long life snap action contacts mechanism
- Variety of actuators
- Same dimensions of the M3 Series
- Basic dimensions according to DIN 41635 form E



Circuitry  
(IEC 60947-5-1)



Form C (NO+NC)

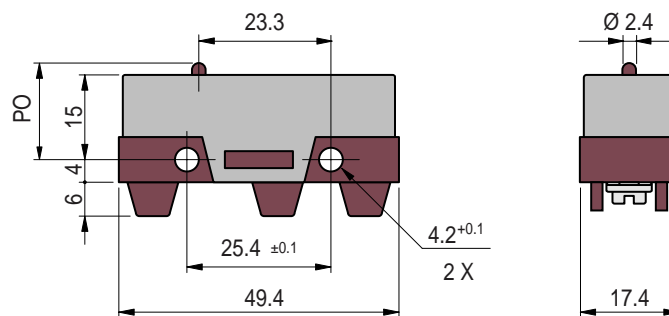
### Specifications

|                            |   |                         |                     |                         |  |
|----------------------------|---|-------------------------|---------------------|-------------------------|--|
| Electrical Rating          | 10A 125Vdc  | 3A 250Vdc               | resistive load      |                         |  |
|                            | 15A 24Vdc   | 2A 125Vdc               | inductive load      | L/R <sup>①</sup> = 40ms |  |
|                            | 5A 125Vdc (contact NC) and 2.5A 125Vdc (contact NO)     |                         | motor load          | L/R <sup>①</sup> = 7ms  |  |
| Contact Resistance         | 50 mΩ maximum initial (at 1A 5Vdc)                      |                         |                     |                         |  |
| Ambient Temperature        | +85°C maximum   |                         |                     |                         |  |
| Degree of Protection       | IP40 (IEC 60529)  |                         |                     |                         |  |
| Operating Speed            | 0,05 mm/sec minimum to 1 m/sec maximum (at pin plunger) |                         |                     |                         |  |
| Mechanical Life Expectancy | 1.000.000 cycles  |                         |                     |                         |  |
| Electrical Life Expectancy | 200.000 cycles  |                         |                     |                         |  |
| Materials                  | Enclosure:  | Thermoplastic Polyamide |                     |                         |  |
|                            | Pin Plunger:  | Thermoplastic Polyamide |                     |                         |  |
|                            | Moving Blade:   | Beryllium copper        |                     |                         |  |
|                            | Contacts:   | Silver alloy            |                     |                         |  |
|                            | Actuators:  | Lever actuator:         | Lever:              | Zinc plated steel       |  |
|                            |   |                         | Roller:             | Thermoplastic Polyamide |  |
|                            | Plunger actuator:                                       | Plunger:                | Nickel plated brass |                         |  |
|                            |   | Roller:                 | Zinc plated steel   |                         |  |

Subject to change without prior notice

### Dimensions

Dimensions in mm



Standard model - Pin Plunger

① L/R: time constant

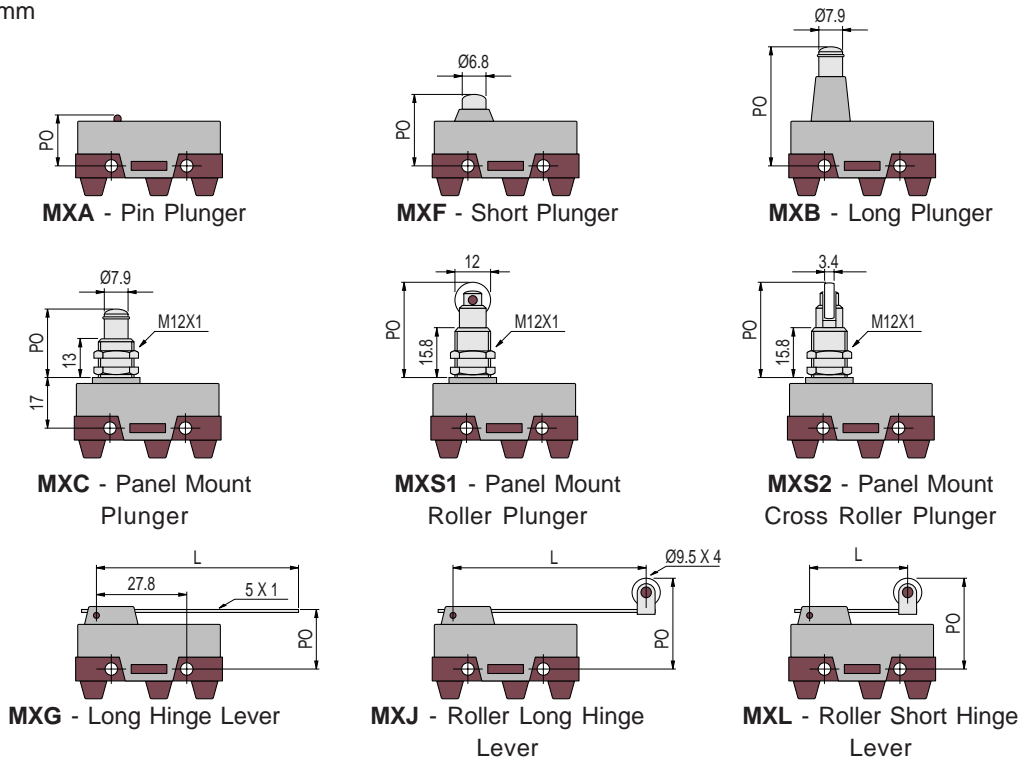


# MX Series

## Basic Switch for DC Circuits

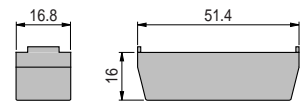
### Available Models

Dimensions in mm



### Accessory

**M33** - Terminal cover (to be screw fixed in the bottom side of the base )



### Characteristics

**Terminology:** OF ... Operating Force      DT .... Differential Travel  
 OP ... Operating Position      OT .... Overtravel  
 PT .... Pretravel      L ..... Actuator Length  
 FP .... Free Position

| Model | OF max. (gf) | OP (mm)    | FP max. (mm) | PT max. (mm) | DT max. (mm) | OT min. (mm) | L (mm)     |
|-------|--------------|------------|--------------|--------------|--------------|--------------|------------|
| MXA   | 500          | 16,0 ± 0,4 | -            | 0,7          | 0,15         | 0,4          | -          |
| MXF   | 500          | 21,2 ± 0,6 | -            | 0,7          | 0,15         | 1,4          | -          |
| MXB   | 500          | 38,1 ± 0,6 | -            | 0,7          | 0,15         | 4,2          | -          |
| MXC   | 500          | 21,1 ± 0,6 | -            | 0,7          | 0,15         | 4,2          | -          |
| MXS1  | 500          | 32,6 ± 0,8 | -            | 0,7          | 0,15         | 3,7          | -          |
| MXS2  | 500          | 32,6 ± 0,8 | -            | 0,7          | 0,15         | 3,7          | -          |
| MXG   | 58           | 19,0 ± 3,0 | 29,0         | -            | 2,8          | 1,8          | 63,5 ± 0,4 |
| MXJ   | 56           | 30,2 ± 3,5 | 38,3         | -            | 2,7          | 1,7          | 60,5 ± 0,5 |
| MXL   | 132          | 30,2 ± 1,8 | 34,0         | -            | 1,2          | 0,7          | 26,6 ± 0,5 |

### Special Applications

Even though the products presented in this catalog are models of regular commercial use, we are able to develop "personalized" models for special applications. Contact us.



**KAP COMPONENTES ELÉTRICOS Ltda.**