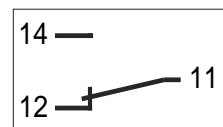




- Compact housing for heavy duty applications
- Multiple type with 2, 3, 4, 5 or 6 actuators
- Degree of protection IP67
- Pin plunger, roller plunger and sphere actuators
- Internal switch with changeover circuit and rating 5A
- Solder and screw terminals

Circuitry

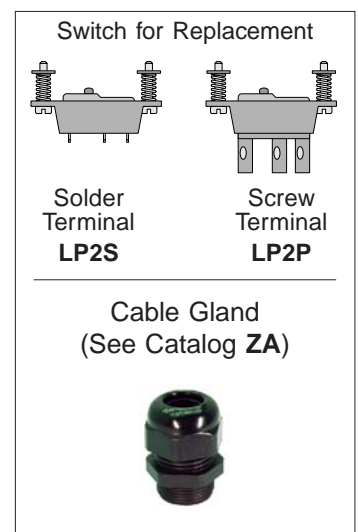
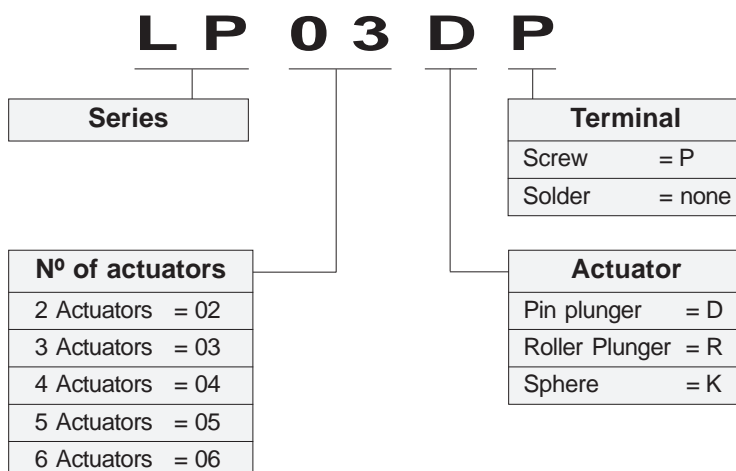


Specifications

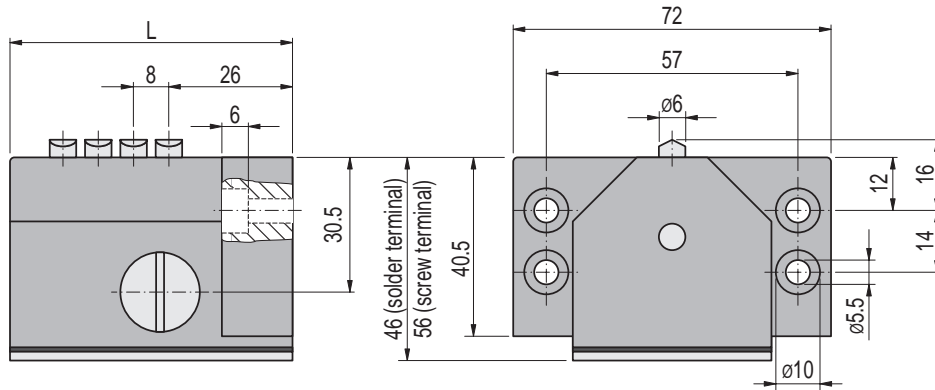
Electrical Rating	5A 250Vac
Contact Resistance	50mΩ maximum initial (at 1A 5VDC)
Ambient Temperature	+85°C maximum
Operating Speed	0,9mm/sec minimum to 1m/sec maximum (30° cam)
Degree of Protection	IP 67 (EN 60529)
Internal Switch	Circuit Form C (IEC 60947-5-1)
Mechanical Life Expectancy	10.000.000 cycles
Electrical Life Expectancy	200.000 cycles
Materials	Enclosure: Painted Die Cast Zamak
	Actuator: Stainless Steel

Subject to change without prior notice

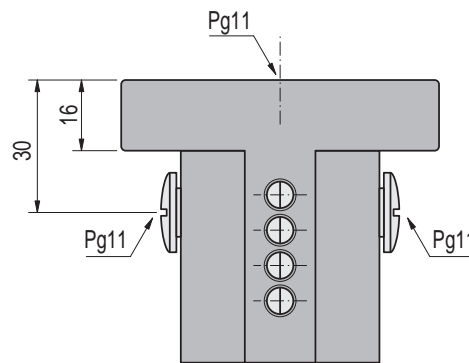
Ordering Information



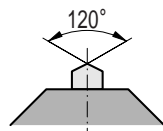
Dimensions



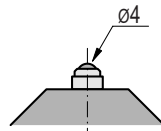
Actuators	L (mm)
2	48
3	64
4	64
5	80
6	80



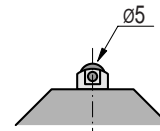
Actuator Types



Pin Plunger

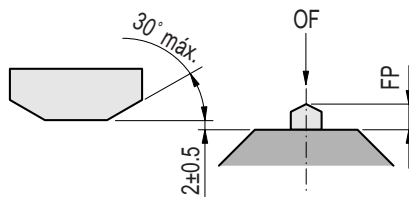


Sphere

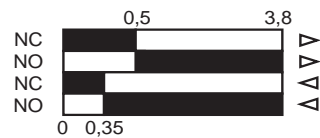


Roller Plunger

Characteristics



Course Diagram



Operating Force (OF)	800g max.
Free Position (FP)	4,0±0,2mm
Operating Position (OP)	3,5±0,2mm
Differential Travel (DT)	0,15mm max.
Overtravel (OT)	3,3mm min.

Subject to change without prior notice