
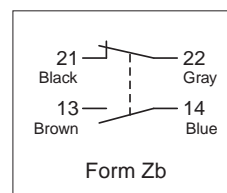


- Compact and totally sealed
- Degree of protection IP67
- Plunger, roller plunger and roller lever actuators
- Snap action contacts mechanism 1NO + 1NC
- Positive opening operating of NC contact (⊕) (IEC 60947-5-1)
- Double insulated 
- NO and NC contacts electrically insulated
- Supplied with 2m length cable
- Mechanical life expectancy up to 20 million operations



Circuitry (IEC 60947-5-1)



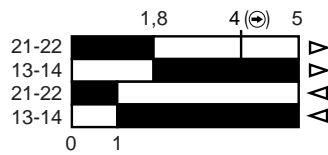
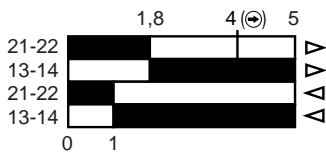
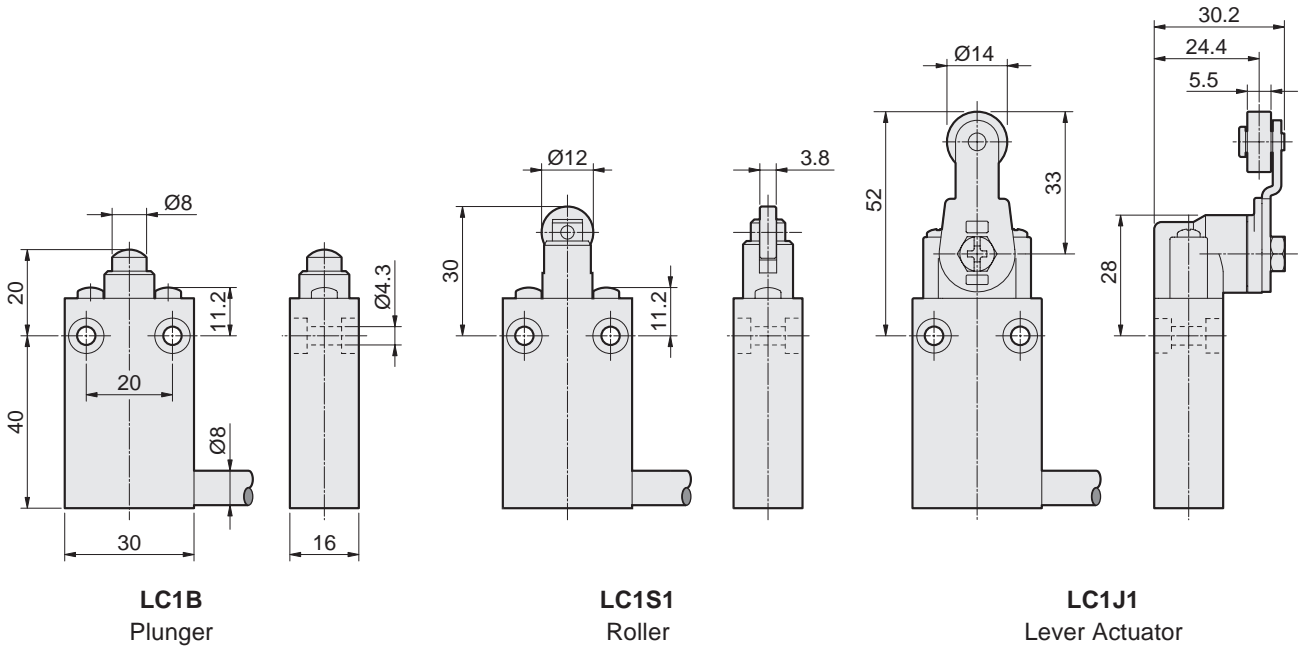
Specifications

Utilization Category	AC15 DC13
Rated Operational Voltage (Ue)	400Vac
Rated Operational Current (Ie)	3A
Rated Insulation Voltage (Ui)	500Vac 600Vdc
Conventional free air thermal current (Ith)	10A (IEC 60947-5-1)
Contact Resistance	50 mΩ maximum initial (without cable at 1A 5Vdc)
Ambient Temperature	+70°C maximum (limited by cable)
Degree of Protection	IP67 (IEC 60529)
Internal Switch	Circuit Form Zb (IEC 60947-5-1): NO and NC contacts electrically insulated With positive opening operation on NC contact (IEC 60947-5-1): obtained by the minimum course (⊕) described in the diagrams
Mechanical Life Expectancy	20.000.000 cycles at 60 cycles/min max.
Cable (colors: see Circuitry)	4 x 0,75 mm ² wires length 2m EN 50265-2-1 (standard)
Materials	Enclosure: Glass-reinforced polymer, self-extinguishing
	Plunger: Zinc plated steel
	Roller: Stainless steel
	Lever actuator: Lever: Stainless steel Roller: Polymer

Subject to change without prior notice

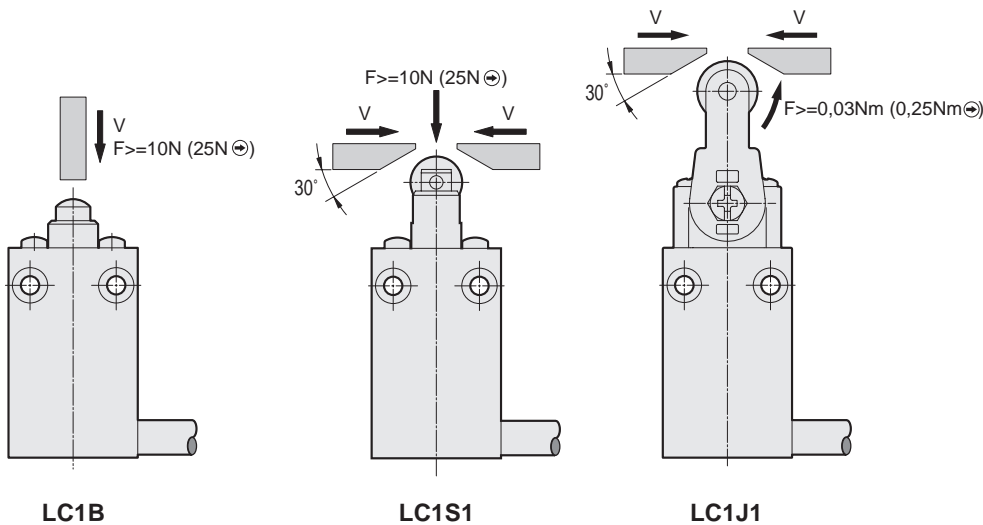
Dimensions and Travels Diagrams

Dimensions in mm



Subject to change without prior notice

Direction and Actuation Speed



Model	V _{mín.} (mm/s)	V _{máx.} (m/s)
LC1B	0,01	0,5
LC1S1	0,02	0,1
LC1J1	0,07	1,5