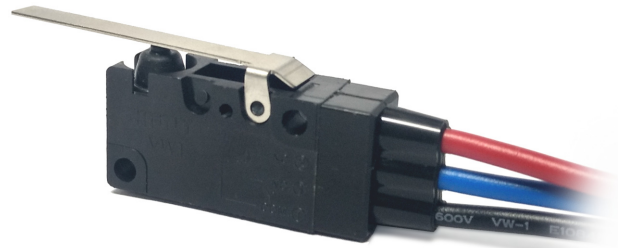


# KAP MVP Series

## Enclosed Miniature Switch

- Compact and fully sealed
- Degree of Protection IP67 (IEC 60529)
- Fixing distances according to DIN 41635-A
- 1NO+1NC changeover circuit with rating up to 6A
- Snap action contacts mechanism
- Plunger and hinge lever actuators
- Supplied with connection cables
- UL approved component (File E91274 - model VW1-06)

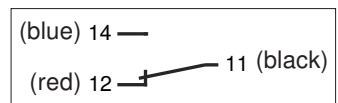


### Degree of Protection

# IP67



Circuitry (IEC 60947-5-1)



Form C (NO+NC)

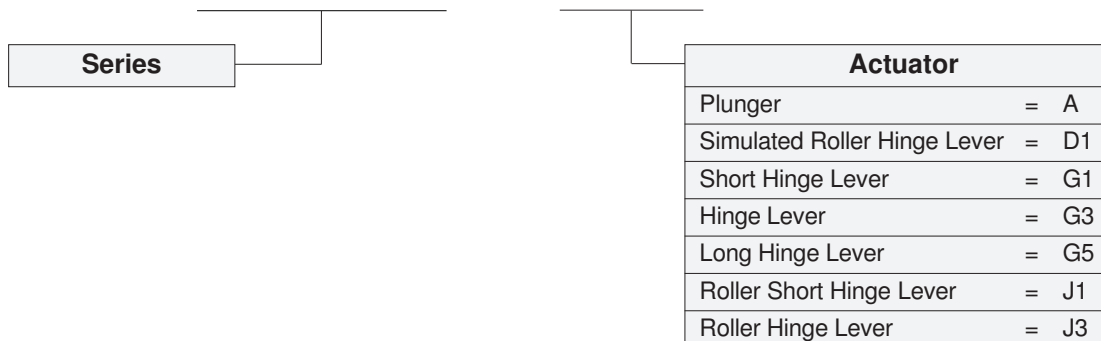
### Specifications

Rated Operational Voltage (Ue)	250 Vac	30 Vdc
Rated Operational Current (Ie)	6 A	5 A
Degree of Protection	IP67 (IEC 60529)	
Cable	Cable 0,8 mm <sup>2</sup> (AWG 18), length 300 mm	
Ambient Temperature	-40 °C ... +85 °C (with no icing)	
Mechanical Life Expectancy	1.000.000 cycles at 120 cycles/min max.	
Electrical Life Expectancy	10.000 cycles at 30 cycles/min max.	
Contact Resistance	100 mΩ maximum initial (at 100 mA 1 Vdc)	
Materials	Enclosure: Reinforced thermoplastic	
	Actuators: Level:	Lever: stainless steel
		Roller: cooper alloy
	Plunger: reinforced thermoplastic	

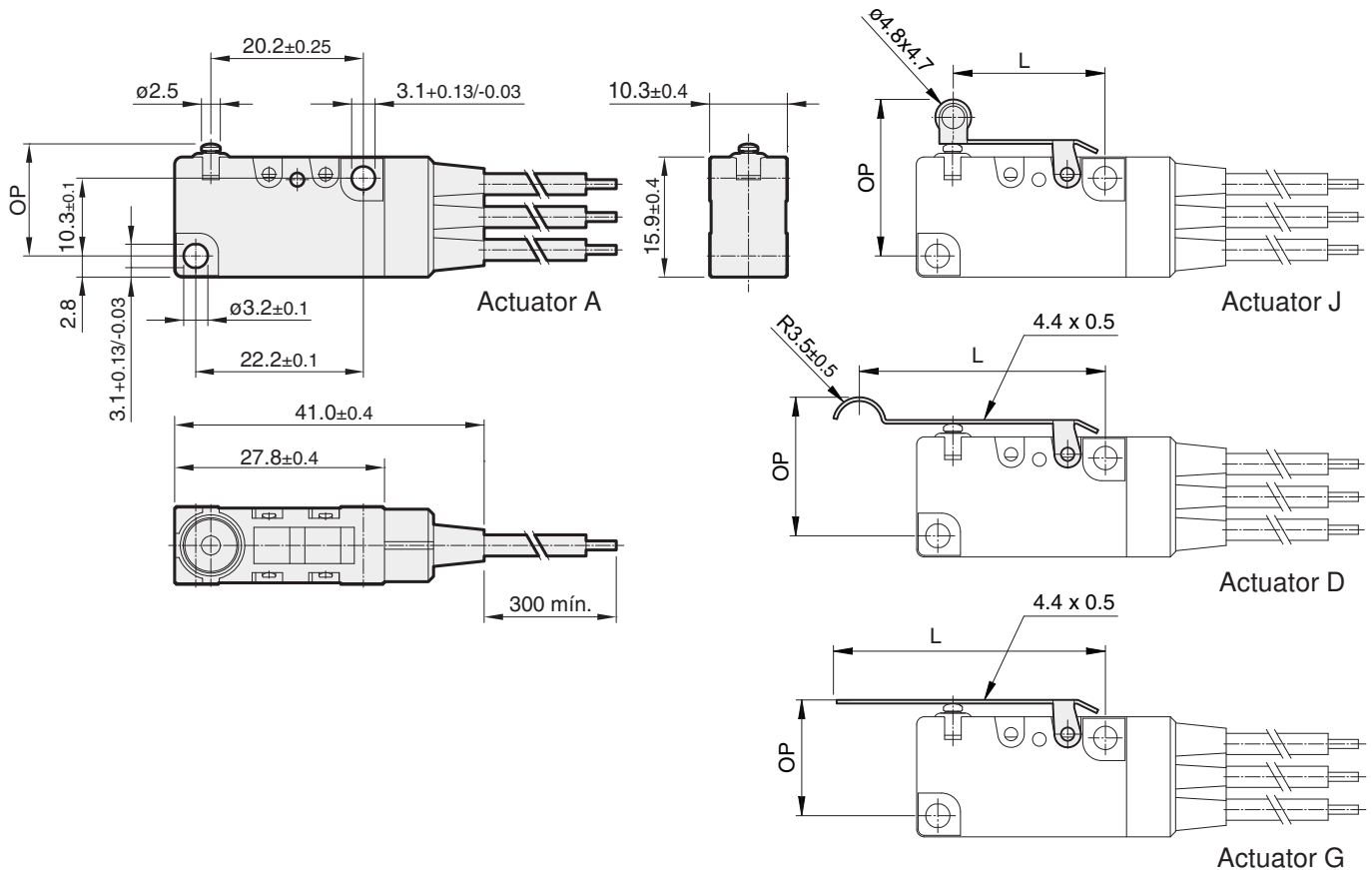
Subject to change without prior notice

### Ordering Information

**M V P 6 G 3 W**



## Dimensions (in mm)



## Characteristics

**Terminology:** OF ... Operating Force      DT ... Differential Travel  
 OP ... Operating Position      OT ... Overtravel  
 PT ... Pretravel      L ..... Actuator Length (see *Dimensions*)

Model	OF max. (gf)	OP (mm)	PT max. (mm)	DT máx. (mm)	OT mín. (mm)	L (mm)
MVP6AW	200	14.7 ± 0.4	1.2	0.4	1.0	-
MVP6D1W	125	18.1±0.8	3.6	1.0	1.7	32.6±0.7
MVP6G1W	150	15.1±0.6	2.6	0.6	1.1	24.3±0.6
MVP6G3W	110	14.8 ± 0.8	4.0	0.9	1.5	35.6±0.6
MVP6G5W	70	13.4 ± 2.0	7.0	2.0	2.9	59.4±0.7
MVP6J1W	200	20.6±0.5	2,1	0.5	1.0	20.1±0.7
MVP6J3W	130	20.4±0.7	3,3	0.7	1.3	29.8±0.7

## Special Applications

Even though the products presented in this catalog for regular commercial use, we are able to develop "personalized" models for special applications. Contact us.