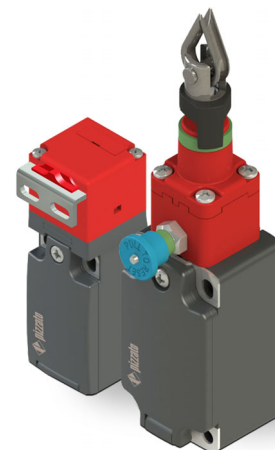


KP LES Series

Safety Switch

- Thermoplastic housing with Pg 13,5 cable entrance
- Degree of Protection IP67 (IEC 60529)
- Large variety of heads, actuators and accessories
- Positive opening operating of the NC contact (⊕) (IEC 60947-5-1)
- According to safety standards of men and machines
- Slow action contact mechanism with double insulated
- With double insulated □
- In conformity with Low Voltage Directive 2006/95/EC
- UL approved product (File E131787 - models FP and FR)



Specifications

Utilization Category (IEC 60947-5-1)	AC-15	DC-13
Rated Operational Voltage (Ue)	400 V	125 V
Rated Operational Current (Ie)	3 A	1,1 A
Rated Insulation Voltage (Ui)	LE206.../LE306...:	400 Vca
	Others:	500 Vca 600 Vcc
Rated Thermal Current (Ith)	10 A (IEC 60947-5-1)	
Contact Resistance	50 mΩ maximum initial (at 1A 5Vdc)	
Ambient Temperature	-25° C ...+80° C	
Degree of Protection	IP67 (IEC 60529) (with IP67 cable gland mounted)	
Internal Switch	With positive opening of the NC Contact (IEC 60974-5-1): obtained by the minimum course (⊕) described in the travel diagrams	
Mechanical Life	LE307...:	1.000.000 cycles (without electric load) at 10 cycles/min. max.
	Others:	1.000.000 cycles (without electric load) at 60 cycles/min. max.
Materials	Housing:	Glass-reinforced polymer
	Heads:	Glass-reinforced polymer
	Actuators:	Stainless steel

Markings and Quality marks



Approval UL

Utilization Category	R300 pilot duty (28 VA 125-250 Vdc)
	B300 pilot duty (360 VA 120-240 Vac)
Enclosure Type	1, 4X "indoor use only"

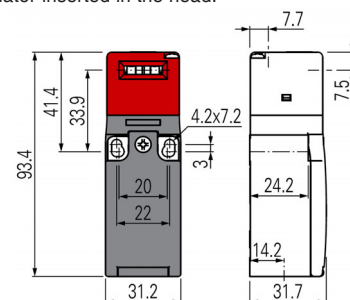
- Directive:**
- 2006/95/CE (Low Voltage Directive)
 - 2006/42/CE (Machinery Directive)
 - 2004/108/CE (Electromagnetic Compatibility)

Safety Switch with Separate Actuator



- Actuators must be ordered separately.
- Other actuator options: consult us.
- The diagrams shown on the left considers the actuator inserted in the head.

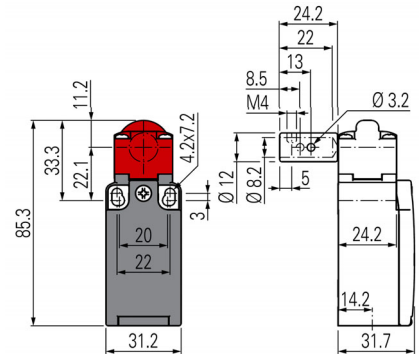
Contact	Travel Diagram	Code
1 NO + 2 NC (slow action)		LE206S5I
2 NC (slow action)		LE204S5I



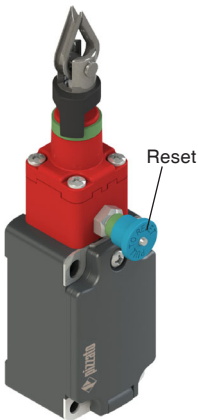
Safety Switch for Hinged Doors



Contact	Travel Diagram	Code
1NO + 2NC (slow action)		LE206SCI
2NC (slow action)		LE204SCI

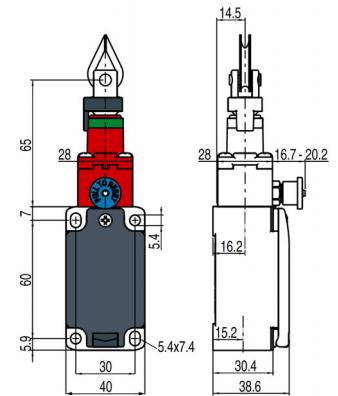
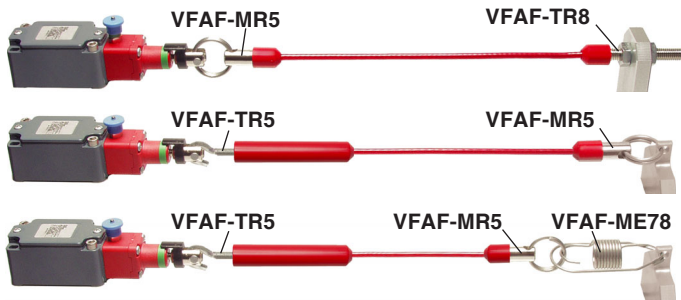


Rope Safety Switch



Contact	Travel Diagram	Code
1NO + 2NC (slow action)		LE306STBI ②
2NC (slow action)		LE307STBI ②

① S: ideal rope tension point; R: Reset intervention
 ② Model with Reset



Subject to change without prior notice



We can optionally provide transversal heads. Contact us.



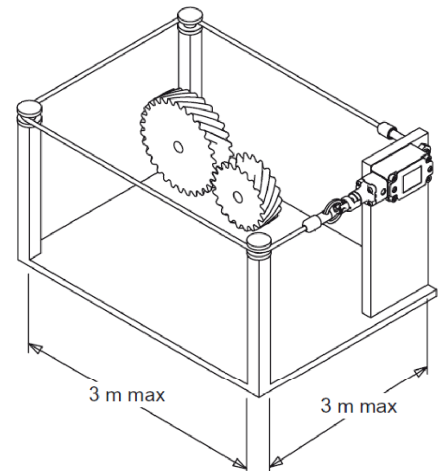
- Cables:
- VFF05-20: 20m; indoor use
 - VFF05-20X: 20m; outdoor use
 - VFF05-100: 100m; indoor use
 - VFF05-100X: 100m; outdoor use



VFAF-CA5



VFAF-CA10



Application Example

Other Options and Accessories

Besides the products in this catalog, we can offer many other options of housings, heads, contact types and a wide range of accessories. Contact us.



With slotted hole lever



Left transverse head and with reset



Separate actuator and with lock



Metal Housing