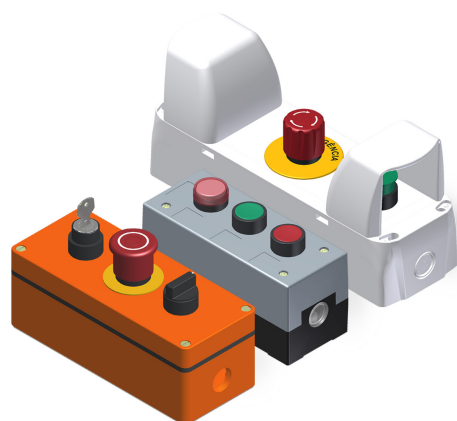


- ø22mm push button enclosure for control and signaling unit
- Metal, thermoplastic and bimanual thermoplastic enclosure ①
- Option of enclosure mounted with or without control and signaling unit
- Various combinations of control units and contacts
- Control units with positive opening of the NC contac → (IEC 60947-5-1)



### Specifications - Push Button Enclosures

Compatible control units	Units for ø22mm drilling	
Ambient Temperature	Enclosure: Metal:	+60 °C maximum
	Plastic:	+70 °C maximum
Degree of Protection	IP65 (IEC 60529) ②	
Materials	Enclosure: Metal:	Painted aluminum
	Plastic:	Thermoplastic
	Bimanual plastic:	Reinforced thermoplastic
	Screws: Metal:	Zinc plated steel
	Plastic:	Zinc plated steel
	Bimanual plastic:	Stainless steel

### Specifications - Control and Signaling Units

Utilization Category (IEC 60947-5-1)	AC-15	DC-13
Rated Operational Voltage (Ue)	240 V	125 V
Rated Operational Current (Ie)	3 A	0,22 A
Rated Thermal Current (Ith)	10 A	1 A
Rated Insulation Voltage (Ui)	300 V	
Contact Resistance	50 mΩ maximum initial (in 1A 5 Vdc)	
Ambient Temperature	+70 °C maximum	
Contact Type	Slow action with positive opening of the NC contact →	
	Options:	1NO 1NC 1NO+1NC 2NO 2NC
Terminals	Screw terminals with retractable clamp, with insulating protection against electric shocks	
Wiring Cables	0.32 mm <sup>2</sup> (22 AWG) min. to 3.3 mm <sup>2</sup> (12 AWG) max.	
Mechanical Life	3.000.000 cycles for pushbuttons and double pushbutton	
	200.000 cycles for emergency and selector	
Electrical Life	200.000 ciclos	
Degree of Protection	IP65 (IP40 for double pushbutton) (IEC 60529) ② ③	

① For the correct operation and in accordance with existing standars, the bimanual controls must be connected to a security device that monitors their proper operation.

② With control and signaling units and cable gland of equal or greater degree of protection. Enclosures provided without cable gland.

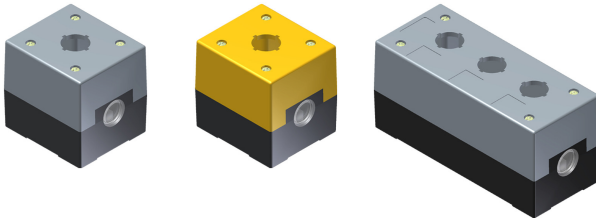
③ Some models may have a degree of protection elevated to IP68. See: Accessories - Protective cover (page 3).

## Push Button Enclosures without Control and Signaling Units

### Plastic Push Button Enclosure

## C 5 Q E 1

#### Plastic Push Button Enclosure ①



- ① Standard colors: black box and gray cover
- ② Yellow cover available only for the 1 hole enclosures

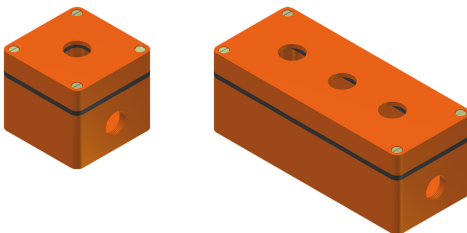
Extra Variable	
Empty	= without extra variable
S	= without hole
A	= yellow cover (1 hole) ②

Size / Number of Holes	
1 Hole	= 1
2 Holes	= 2
3 Holes	= 3
4 Holes	= 4
5 Holes	= 5
6 Holes	= 6

### Metalic Push Button Enclosure

## C 5 Q M 1

#### Metal Push Button Enclosure ③



- ③ Standard color: orange box and cover

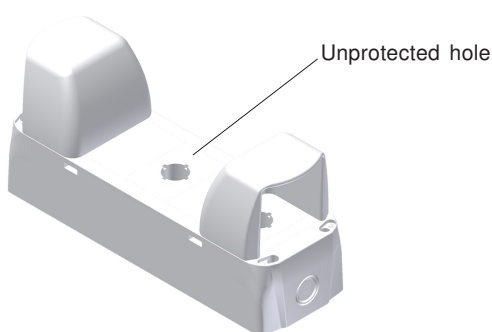
Extra Variable	
Empty	= without extra variable
S	= without hole

Size / Number of Holes	
1 Hole	= 1
2 Holes	= 2
3 Holes	= 3
4 Holes	= 4
5 Holes	= 5
6 Holes	= 6

### Bimanual Push Button Enclosure

## C 5 Q B 1 1

#### Bimanual Push Button Enclosure ④



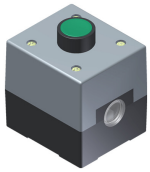
- ④ Standard color: light gray box and cover

Number of Unprotected Hole	
1 Hole	= 1

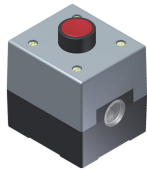
Size	
280x90x62 mm	= 1

Subject to change without prior notice

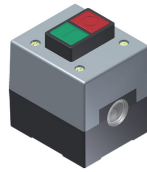
## Push Button Enclosure with Control and Signaling Units



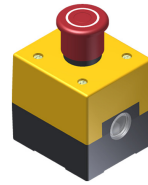
**C5QE1001**  
 - Flush push button  
 - Green color  
 - 1NO+1NC contact



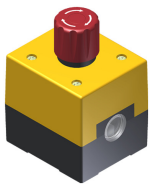
**C5QE1002**  
 - Flush push button  
 - Red color  
 - 1NO+1NC contact



**C5QE1003**  
 - Double push button  
 - With I/O symbol  
 - 1NO+1NC contact



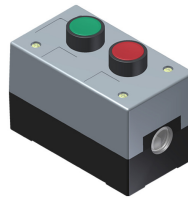
**C5QE1A001**  
 - Emergency button  
 - Push/pull  
 - 2NC contact



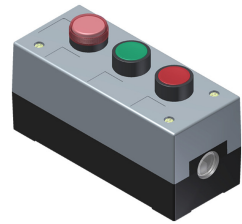
**C5QE1A002**  
 - Emergency button  
 - Push/turn  
 - 2NC contact



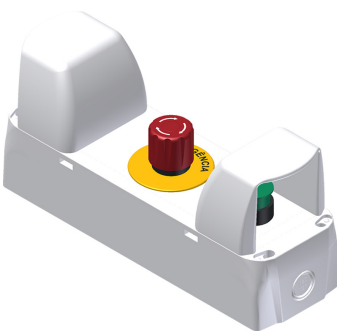
**C5QE1A003**  
 - Emergency button  
 - With key  
 - 2NC contact



**C5QE2001**  
 - Flush Push buttons  
 - 1NO+1NC red button  
 - 1NO+1NC green button



**C5QE3001**  
 - Flush Push buttons  
 - 1NO+1NC red button  
 - 1NO+1NC green button  
 - 24 V red pilot light



**C5QB11001**  
 - With 2 extended push buttons at end and 1 emergency button in the center with plate  
 - Green extended push buttons with 1NO+1NC contacts  
 - Push/turn emergency button with 2NC contacts  
 - Legend plate stamped with the word "EMERGÊNCIA"

## Accessories ①



**C5AX**  
 Tying  
 tool



**C2AQ e C9AQ** ② ③  
 Legend Plate



**C5AQE e C9AQE** ②  
 Emergency legend plate



**C4AK e C9DAK**  
 Protective cover



**C5AEE**  
 Pushbutton  
 Protective Cover



**C2AK**  
 Protective cover



**C2AT**  
 Blanking plug



**C9AR**  
 Position  
 Washer ④

① The choice of the accessory code is related to the operator used. Contact us.

② Legend plate without stamp. Contact us about options of stamped plates.

③ Incompatible with emergency and double buttons.

④ Used to lock the rotation of the C9 operators when assembled in holes with keyway. Applying between the panel and the nut.

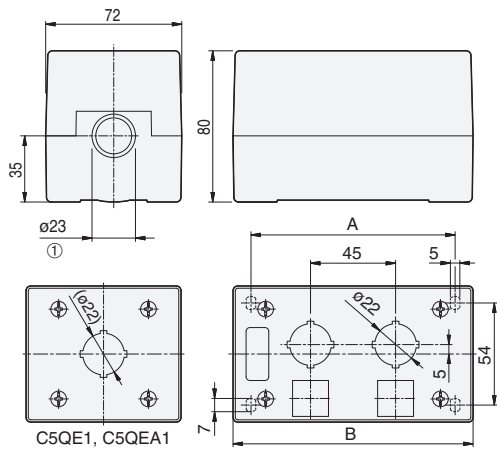
## Special Applications

In addition to the products presented in this catalog, we can develop "personalized" models for special applications. Contact us.

## Dimensions (in mm)

### Plastic Push Button Enclosure

CODE	HOLES	A	B
C5QE1 & C5QE4	1	63	82
C5QE2	2	108	127
C5QE3	3	153	172
C5QE4	4	198	217
C5QE5	5	243	262
C5QE6	6	288	307

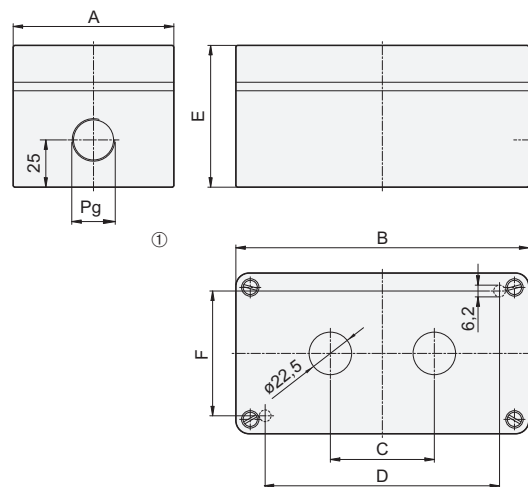


① Push button enclosure with hole protected by hole cap

② When applied with C9 operator: it accepts operators with up to 2 contact blocks; When applied with C2, C3 e C4: it accepts operators with 1 contact block.

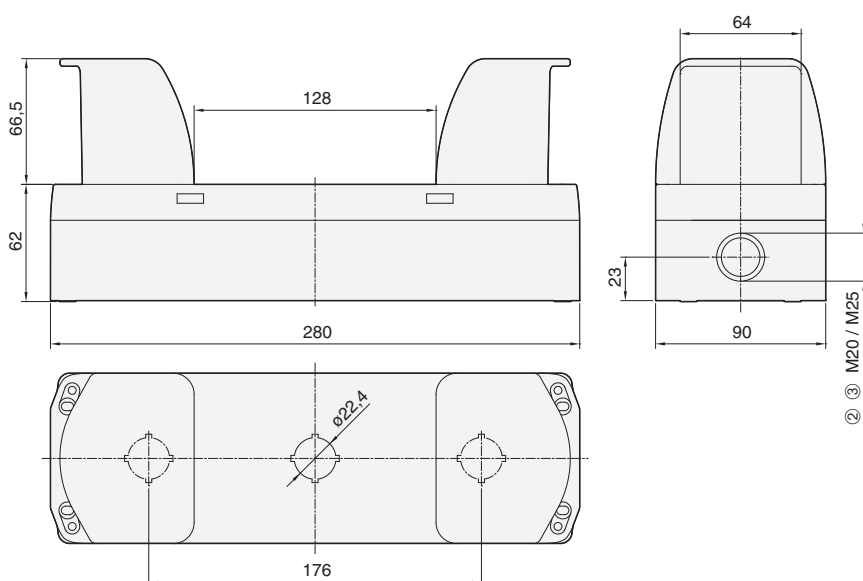
### Metalic Push Button Enclosure

CODE	HOLES	A	B	C	D	E	F	Pg
C5QM1	1	85	85	-	50	75	66	16
C5QM2	2	85	155	55	121	75	66	16
C5QM3	3	85	205	55	170	75	66	16
② C5QM4	4	92	260	55	226	72	75	21
② C5QM5	5	92	360	60	330	72	75	21
② C5QM6	6	92	360	55	330	72	75	21



Subject to change without prior notice

### Bimanual Push Button Enclosure



② Push button enclosure prepared to receive M20 or M25 threads

③ Push button enclosure with 4 drilling markings: one on each side and 2 bottom. Holes not perforated.

### Operator

